

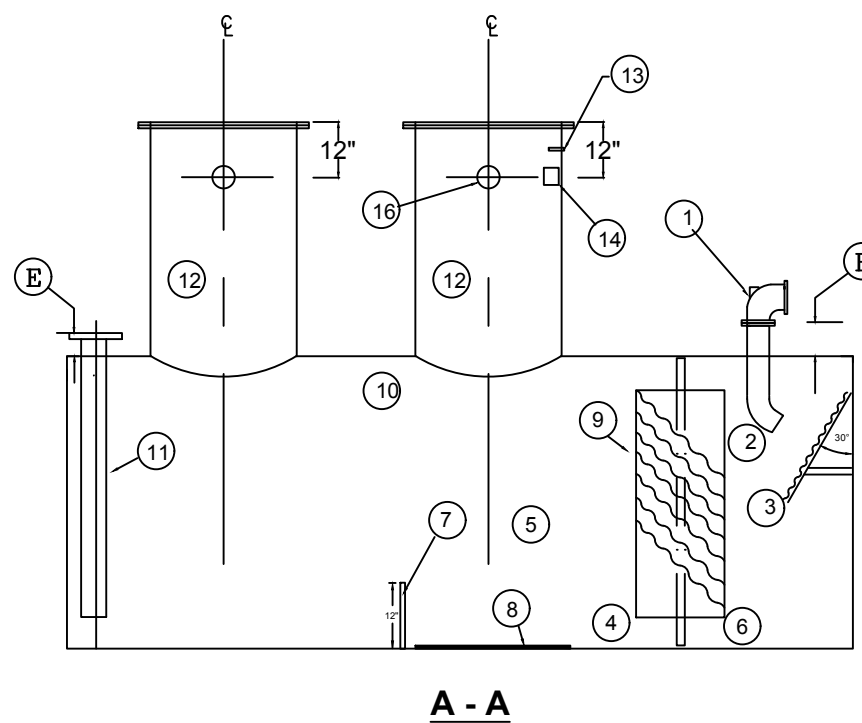
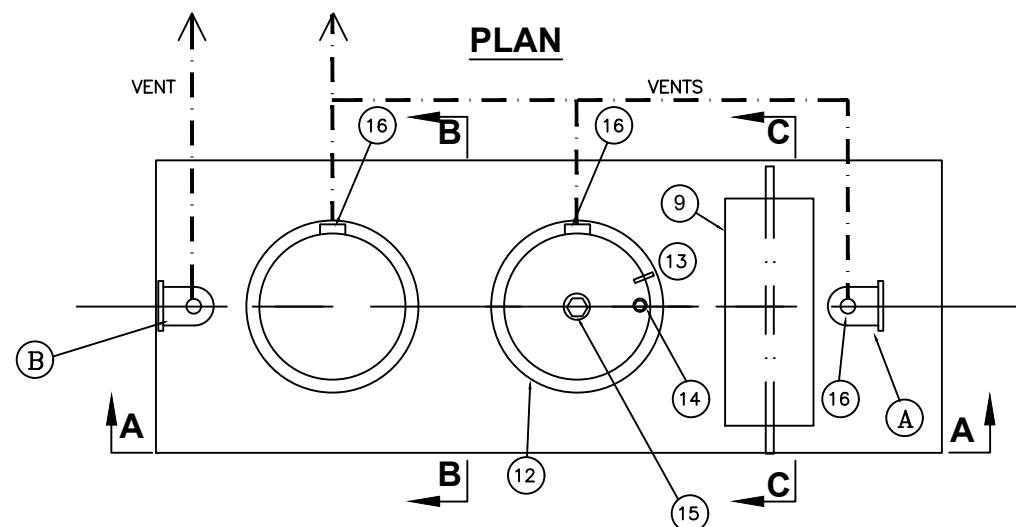
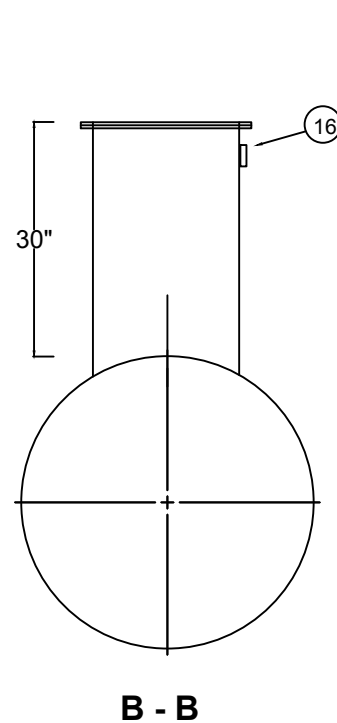
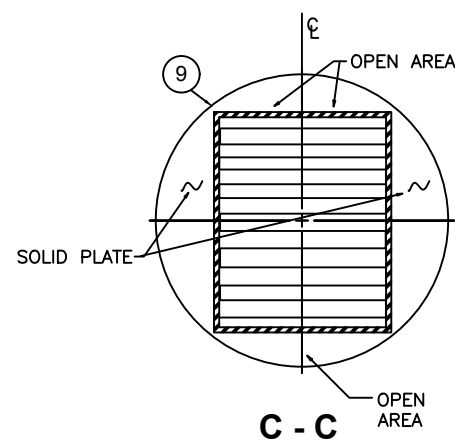
MODEL NO.	FLOW RATE	OIL STORAGE	SPILL CAPACITY	DIAMETER	LENGTH	A I.D.	B I.D.	E Height	F Height	Weight Lbs.
15-2000	200	800	1500	5'-4"	12'-0"	6"	6"	4"	8"	4200
15-3000	300	1200	2200	5'-4"	18'-0"	6"	6"	4"	8"	4950
15-4000	400	1600	2800	5'-4"	24'-0"	6"	6"	4"	8"	5810
15-5000	500	2000	3500	6'-0"	23'-10"	8"	8"	4"	10"	8090
15-6000	600	2400	4200	6'-0"	28'-8"	8"	8"	4"	10"	9025
15-7000	700	2800	4900	7'-0"	24'-4"	8"	8"	4"	10"	9205
15-8000	800	3200	5600	7'-0"	28'-0"	8"	8"	4"	10"	10495
15-9000	900	3600	6300	8'-0"	24'-4"	8"	8"	4"	10"	11005
15-10000	1000	4000	7500	8'-0"	26'-8"	10"	10"	4"	10"	12225
15-12000	1200	4800	8500	8'-0"	32'-0"	10"	10"	4"	10"	13600
15-15000	1500	6000	11000	10'-0"	25'-6"	12"	12"	4"	12"	16420
15-20000	2000	8000	15000	10'-0"	34'-0"	12"	12"	4"	12"	21800
15-25000	2500	10000	18000	10'-6"	38'-9"	14"	14"	4"	14"	29710
15-30000	3000	12000	20000	10'-6"	46'-6"	16"	16"	4"	14"	33795



725 Main Street
Suwanee, GA 30024
770.945.8383



High flow 15 PPM
Oil/Water Separator
Single-wall



STANDARD OIL WATER SEPARATOR EQUIPMENT

1.	150 lb. R.F. FLANGED AND VENTED INLET AND OUTLET ELBOWS (2" VENT)
2.	FLOW DIRECTOR
3.	LAMINAR FLOW ENHANCER PLATE
4.	SLUDGE COLLECTION
5.	SEDIMENT CHAMBER
6.	UNDERFLOW BAFFLE
7.	SLUDGE BAFFLE
8.	STRIKER PLATES
9.	CORRUGATED PLATES
10.	OIL / WATER SEPARATOR CHAMBER
11.	OUTLET DOWNCOMER
12.	24"Ø MANWAY FOR SEPERATOR ACCESS 30" TOTAL LENGTH
13.	3/4"Ø FULL COUPLING FOR SENSOR WIRE MANWAY PASS-THRU
14.	2"Ø NPT COUPLING FOR SENSOR CONNECTION
15.	4" NPT FOR OIL PUMP OUT ACCESS
16.	2"Ø NPT VENT CONNECTIONS
17.	

EXTERIOR COATING:
BRUSHBLAST TO S.S.P.C. NO. 6
MATERIAL: PLASTEEL
THICKNESS: 100 MILS - SHELL
100 MILS - HEADS
INTERIOR COATING:
OPTIONAL

NOTE: Inlets, outlets and manways must be vented.
Failure to vent outlet can result in the syphoning of the unit.

Date: 10/14/24

All rights reserved. This drawing or any part thereof must not be reproduced in any form without the written permission of Metal Products Company.

Dwg. No.

HF-15